

3. SCHEMATIC DIAGRAM

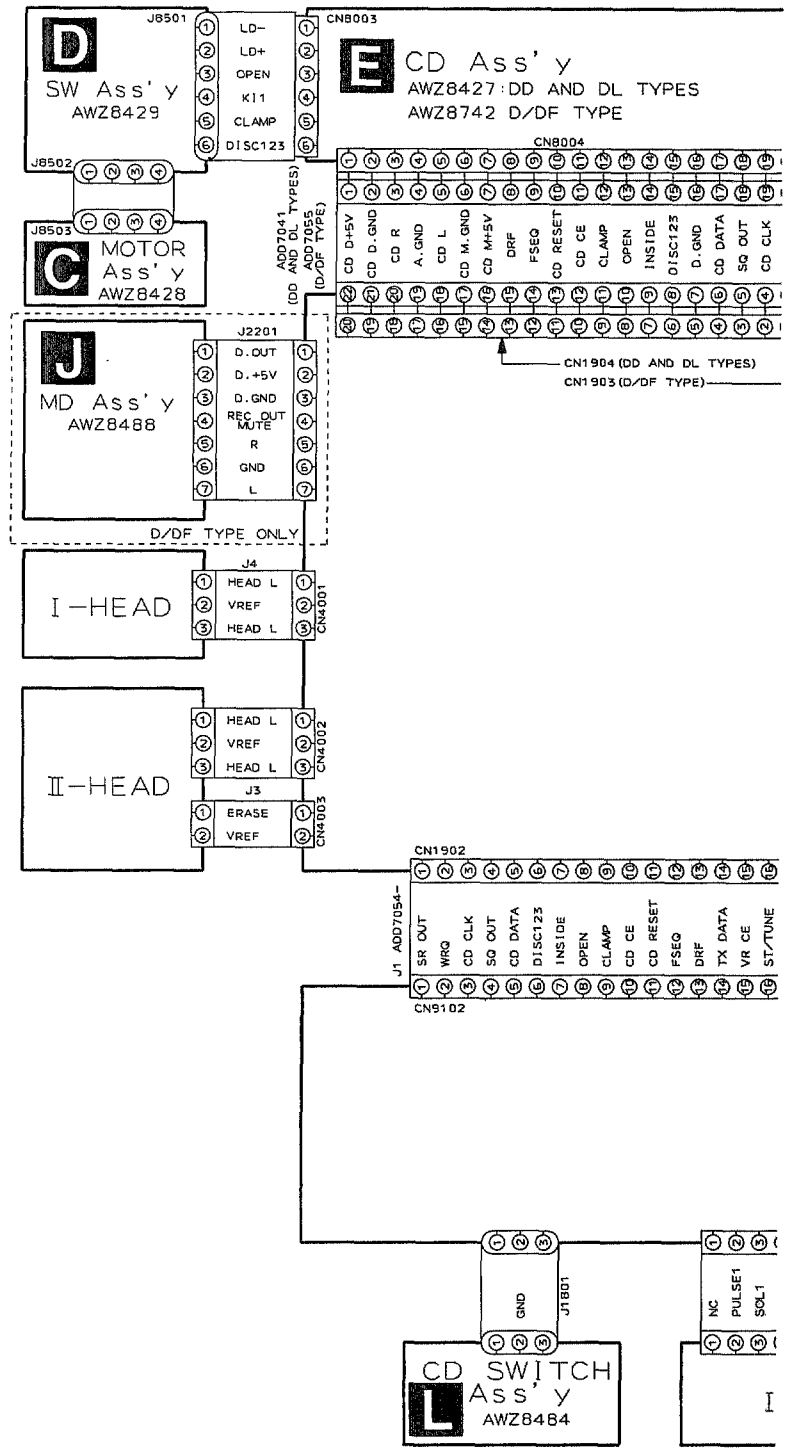
3.1 OVERALL CONNECTION AND PRIMARY ASSY

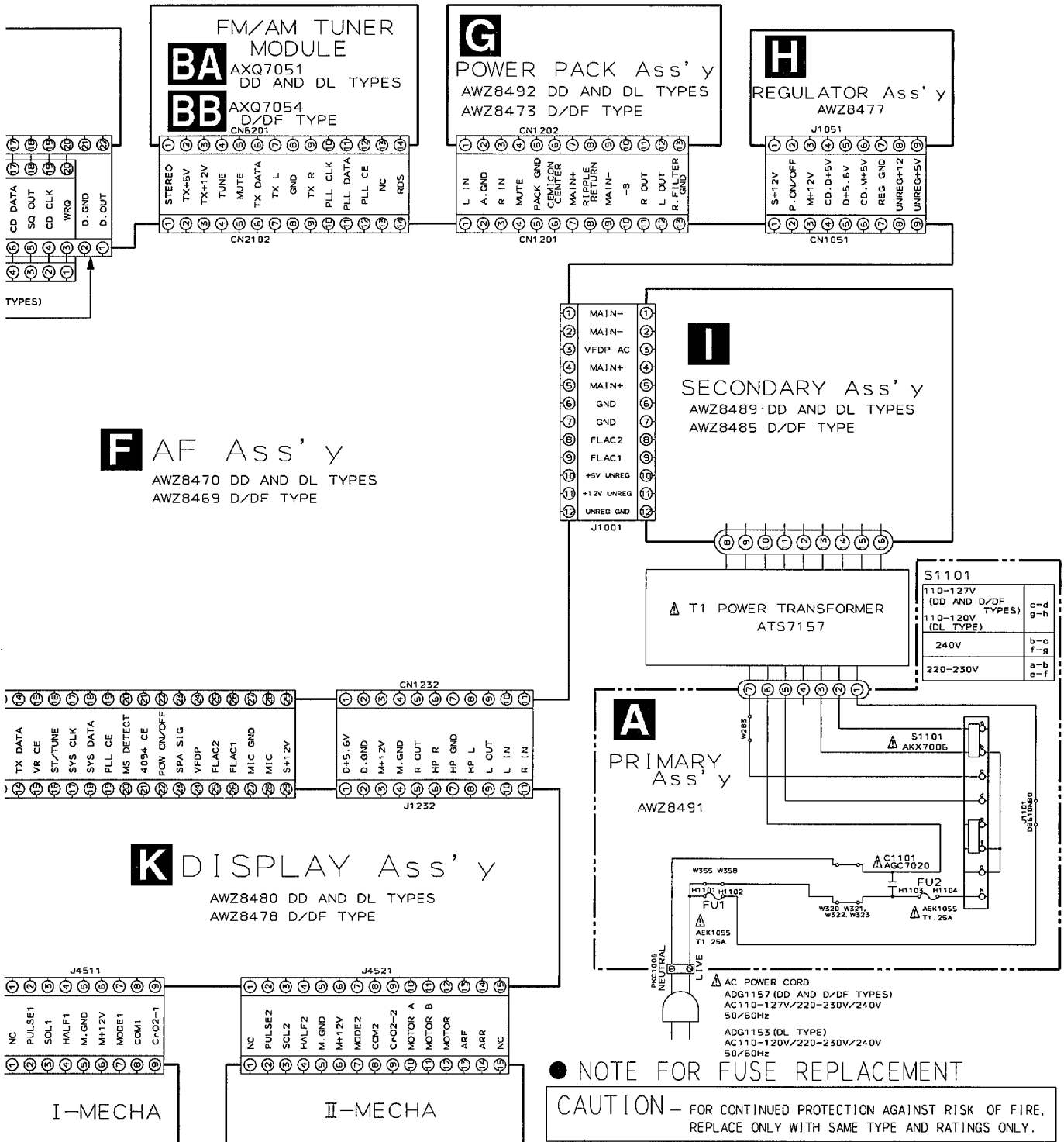
NOTE FOR SCHEMATIC DIAGRAMS (Type 1A)

1. When ordering service parts, be sure to refer to "PARTS LIST OF EXPLODED VIEWS" or "PCB PARTS LIST".
2. Since these are basic circuits, some parts of them or the values of some components may be changed for improvement.
3. **RESISTORS:**
Unit: k:kΩ, M:MΩ, or Ω unless otherwise noted.
Rated power: 1/4W, 1/6W, 1/8W, 1/10W unless otherwise noted.
Tolerance: (F): ±1%, (G): ±2%, (K): ±10%, (M): ±20% or ±5% unless otherwise noted.
4. **CAPACITORS:**
Unit: p:pF or μF unless otherwise noted.
Ratings: capacitor (μF)/voltage(V) unless otherwise noted.
Rated voltage: 50V except for electrolytic capacitors.
5. **COILS:**
Unit: m:mH or μH unless otherwise noted.
6. **VOLTAGE AND CURRENT:**

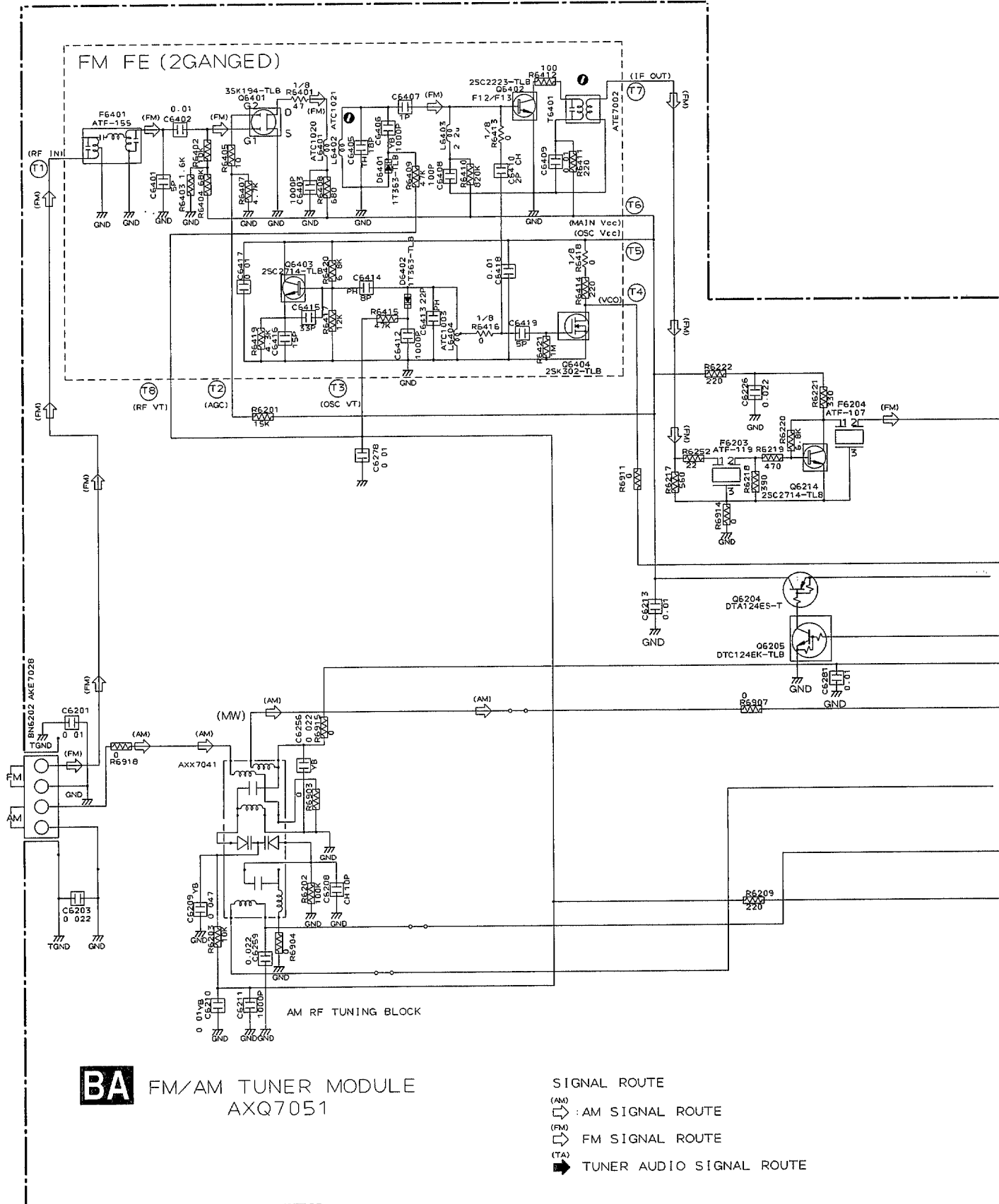
	: Signal voltage at rated output.
	or ← V: DC voltage (V) at no input signal unless otherwise noted. Value in () is DC voltage at rated power.
	or ← mA: DC current at no input signal unless otherwise noted.
7. **OTHERS:**
 - or : Adjusting point.
 - : Measurement point.
 - The mark found on some component parts indicates the importance of the safety factor of the parts. Therefore, when replacing, be sure to use parts of identical designation.

8. **SWITCHES** (Underline indicates switch position):
- | | |
|----------------------|--------------------------|
| MOTOR ASSY | S1815 : DOLBY ON/OFF |
| S8503 : OPEN | S1816 : P.BASS(DEMO) |
| SW ASSY | S1817 : SFC/KARAOKE |
| S8501 : CLAMP | S1818 : STEREO WIDE |
| S8502 : DISC123 | S1821 : TUNER |
| CD SWITCH ASSY | S1822 : MD/AUX |
| S1831 : DISC-1 | S1823 : |
| S1832 : DISC-2 | S1824 : |
| S1833 : DISC-3 | S1825 : |
| S1834 : DISC CHANGE | S1826 : |
| S1835 : OPEN/CLOSE | S1827 : MEMORY |
| DISPLAY ASSY | S1828 : ASES COPY |
| S1801 : VOLUME | S1829 : POWER STANDBY/ON |
| S1811 : CD | S1836 : TIME REC/WAKE-UP |
| S1812 : TAPE I/II | S1837 : MONO |
| S1813 : FREQ STATION | S1838 : CLOCK/CLOCK ADJ |
| S1814 : REC/STOP | S1839 : DISPLAY |





3.2 FM/AM TUNER MODULE (DD AND DL TYPES)



BA FM/AM TUNER MODULE
AXQ7051

- SIGNAL ROUTE
- (AM) : AM SIGNAL ROUTE
 - (FM) : FM SIGNAL ROUTE
 - (TA) : TUNER AUDIO SIGNAL ROUTE



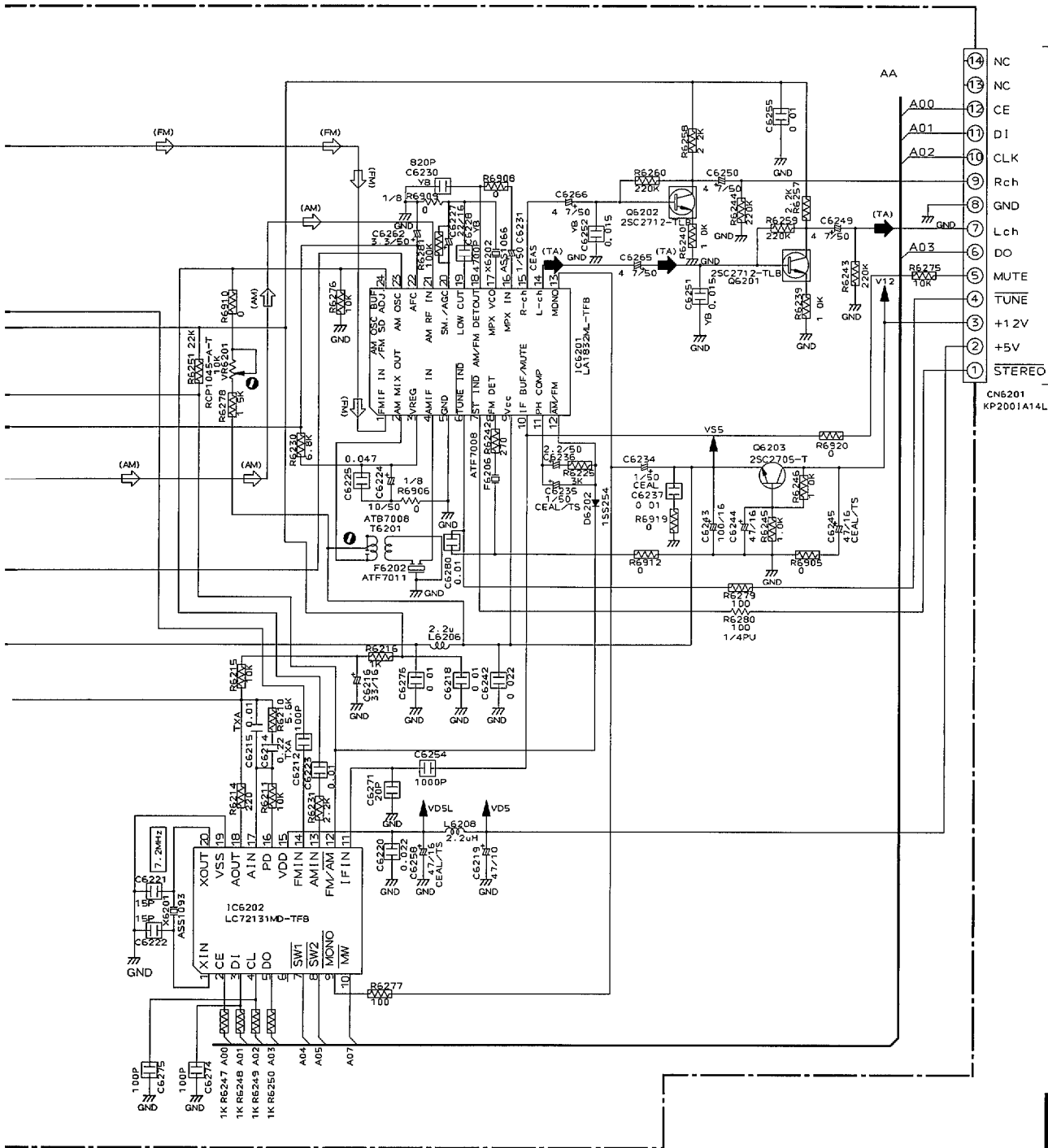
Notes

1. RESISTORS

Indicated in Ω , 1/10W \pm 5% Tolerance unless otherwise noted K:K Ω , M:M Ω .

2. CAPACITORS

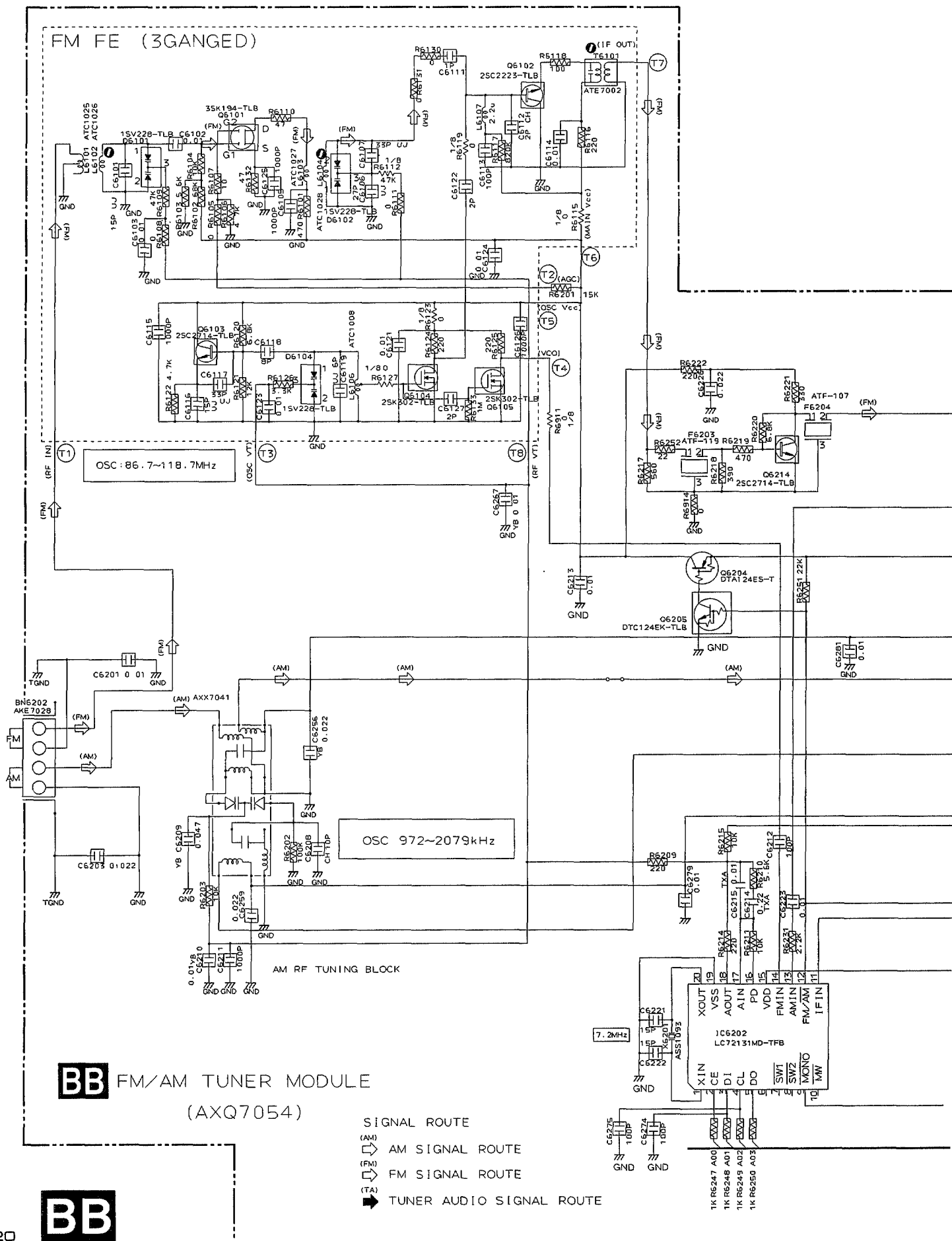
Indicated in Capacity (μ F)/VOLTAGE (V) unless otherwise noted P:PF.



F 2/2 CN2102



3.3 FM/AM TUNER MODULE (D/DF TYPE)



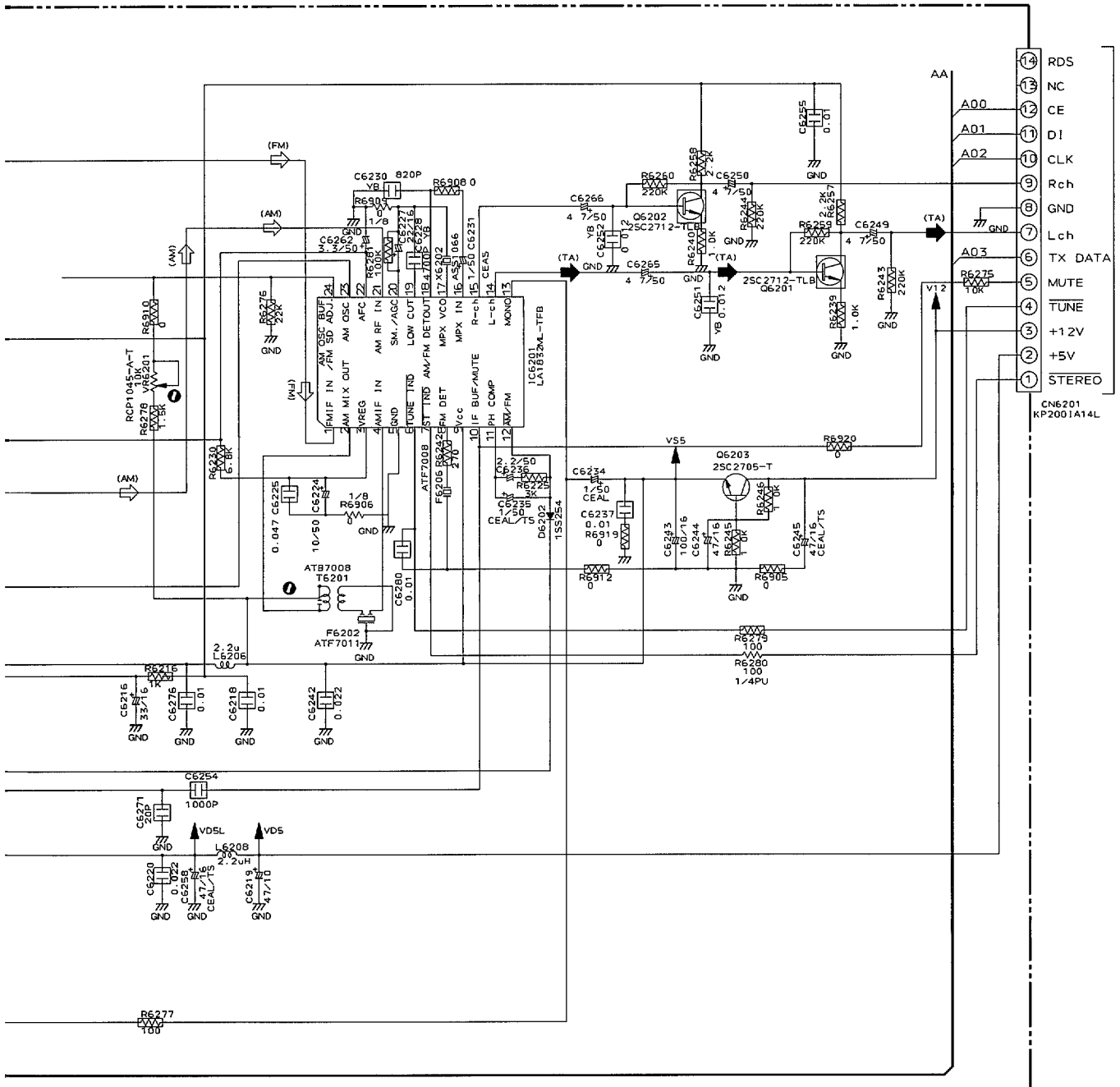
Notes

1. RESISTORS

Indicated in Ω , $1/10W \pm 5\%$ Tolerance unless otherwise noted K, K Ω , M, M Ω .

2. CAPACITORS

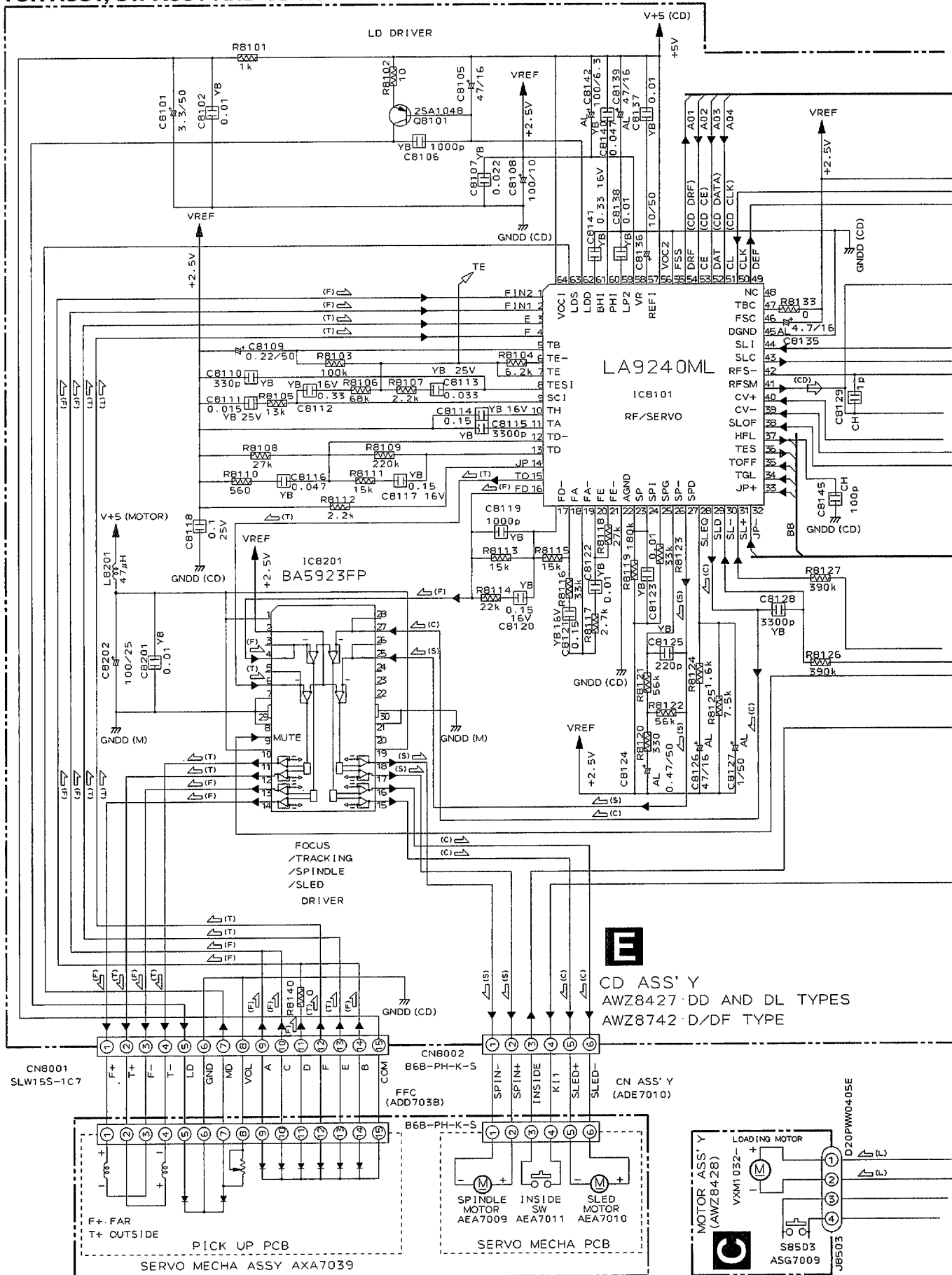
Indicated in Capacity (μF)/VOLTAGE (V) unless otherwise noted P, PF.

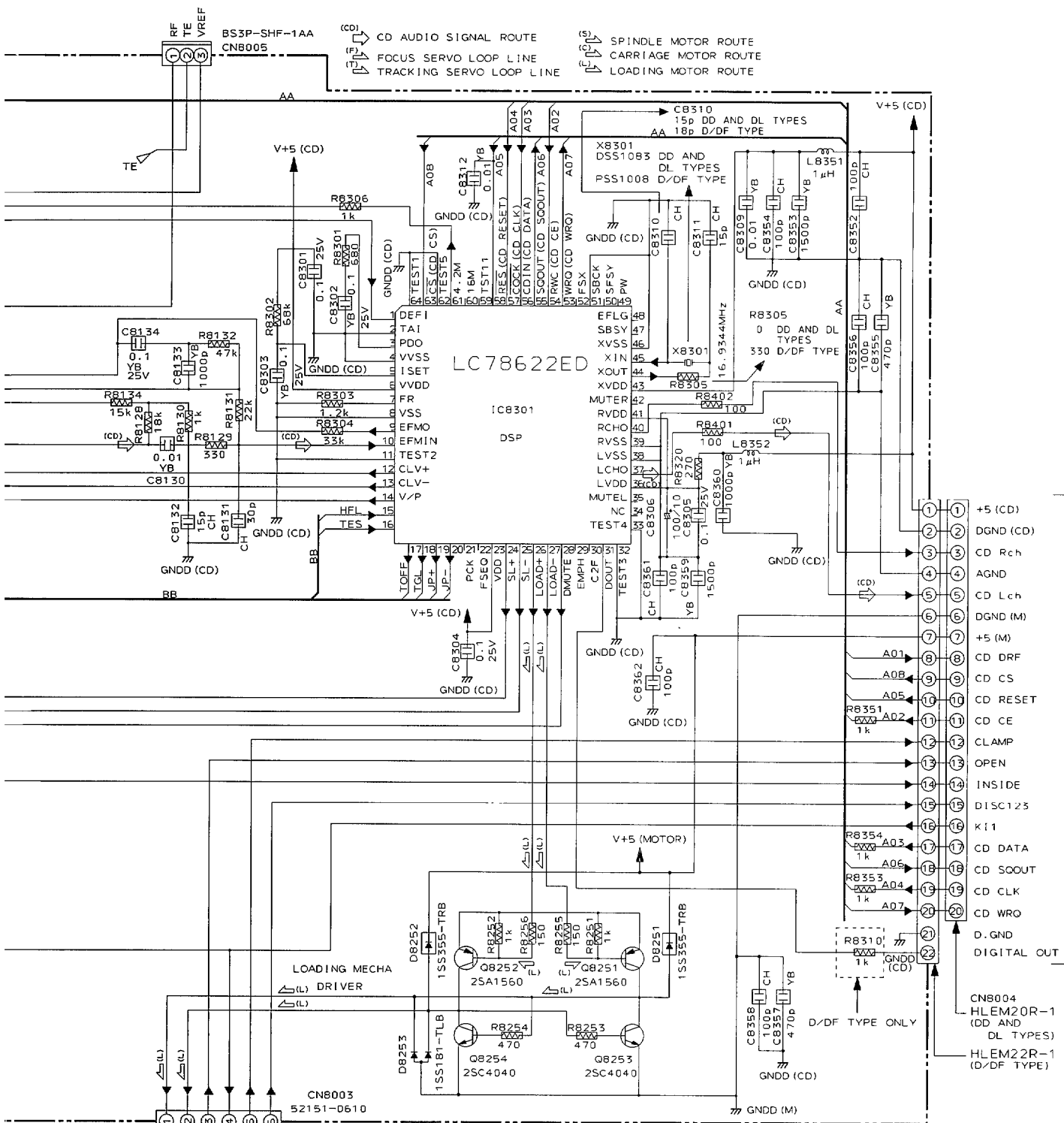


F 2/2 CN2102

XR-P470C

3.4 MOTOR ASSY, SW ASSY AND CD ASSY





NOTES

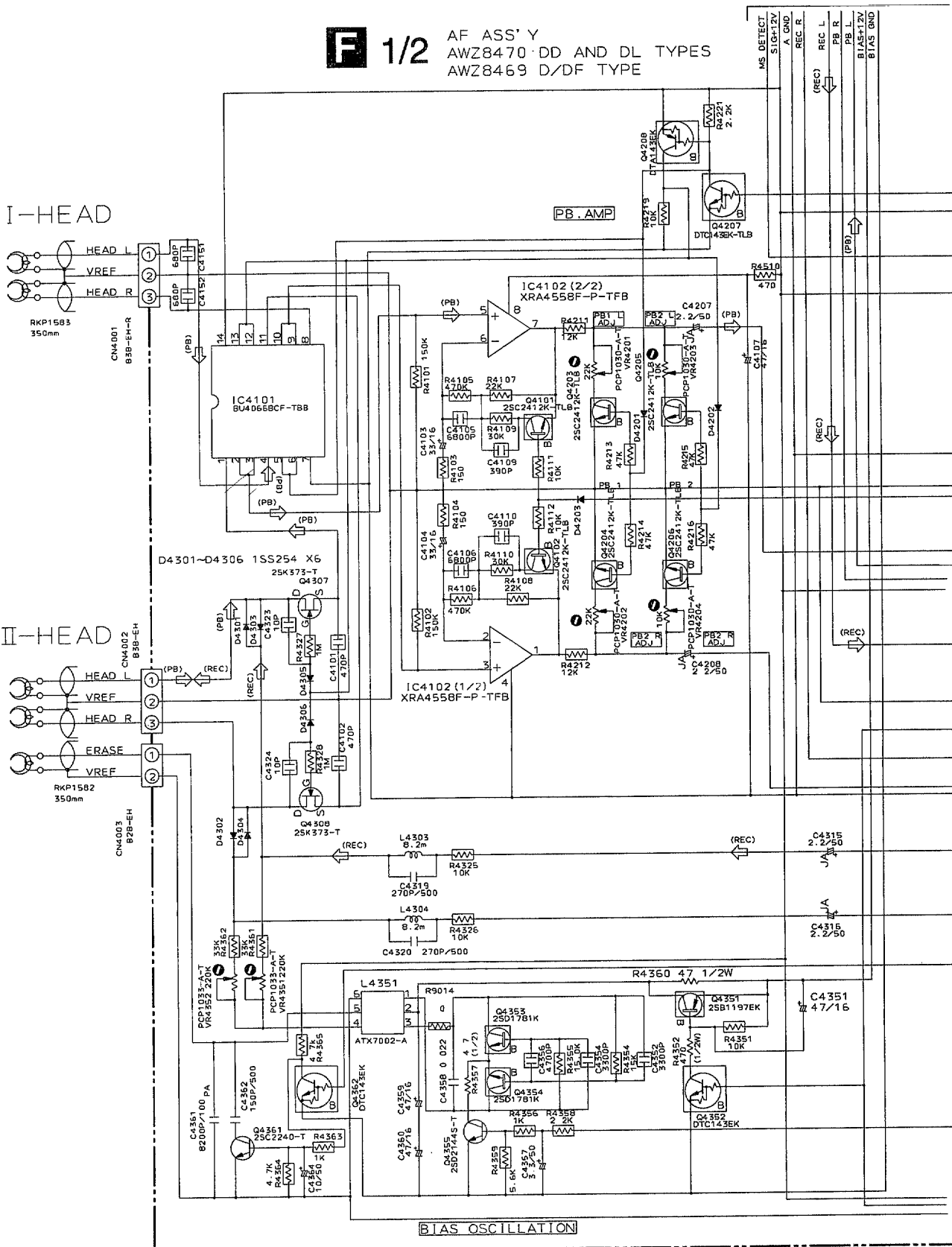
1. Resistors
Indicated in Ω, 1/10W, ±5% tolerance unless otherwise noted k kΩ M MΩ
2. Capacitors
Indicated in μF/voltage unless otherwise noted p pF. Indication without voltage is 50V except electronic capacitors.
*Electronic capacitors CEAS000M AL CEAL
*Ceramic capacitors CKSQYF000Z YB CKSQYB CH CCSOCH
3. Inductors LFA000

F 2/2 CN1903



3.5 AF ASSY(1/2)

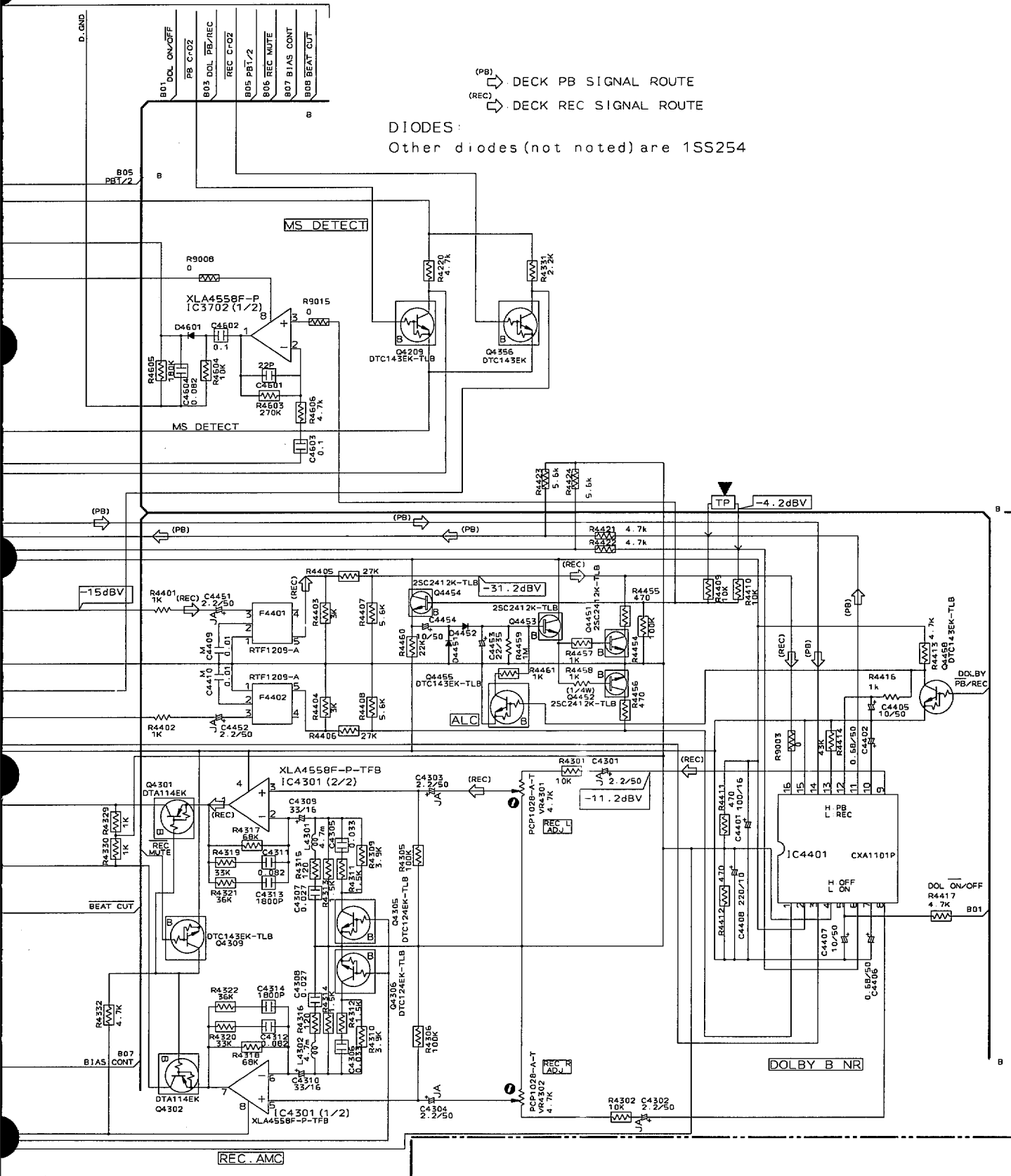
F 1/2 AF ASS'Y
AWZ8470 DD AND DL TYPES
AWZ8469 D/DF TYPE



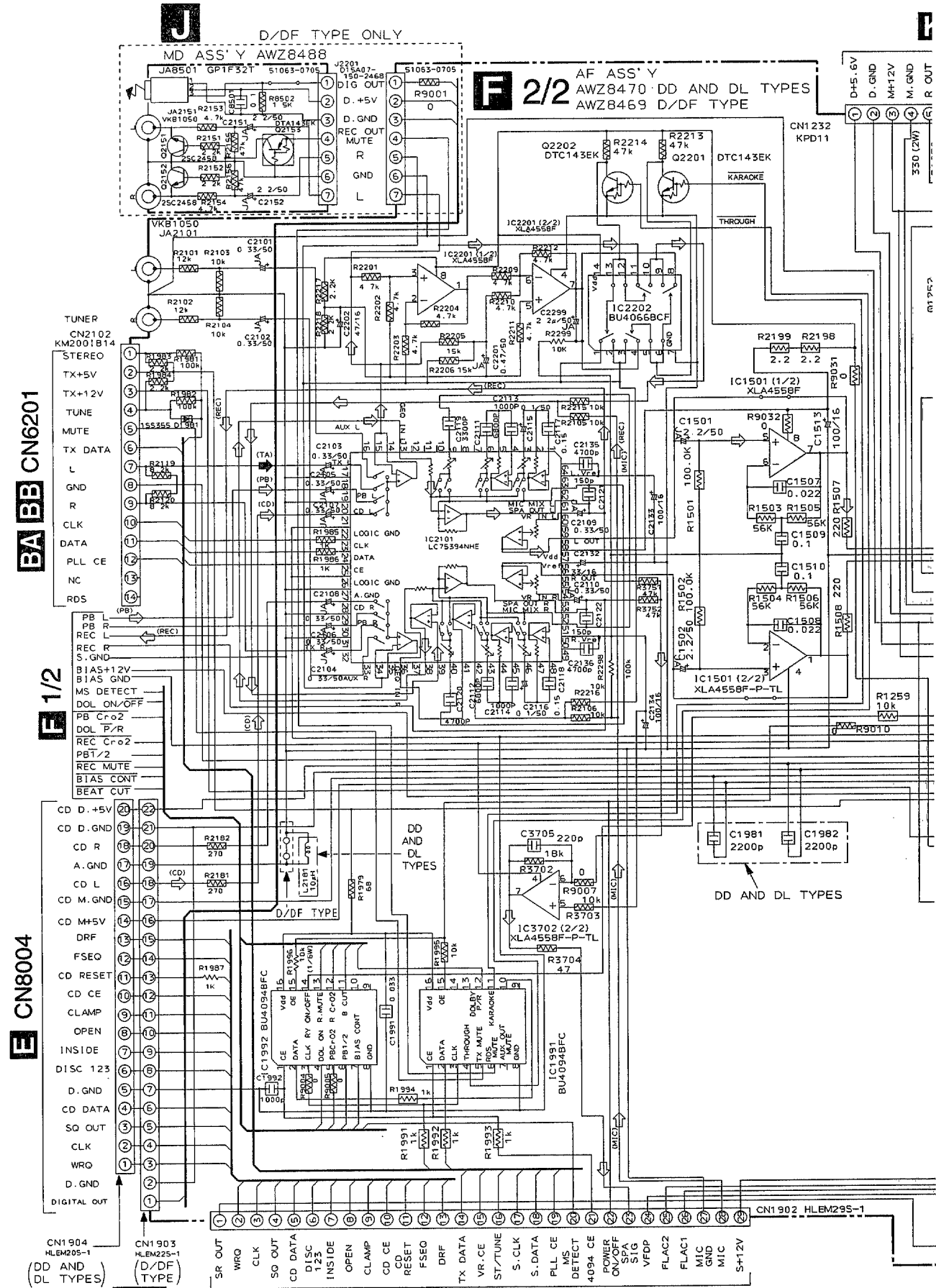
F 2/2

(PB) DECK PB SIGNAL ROUTE
(REC) DECK REC SIGNAL ROUTE

DIODES:
Other diodes (not noted) are 1SS254



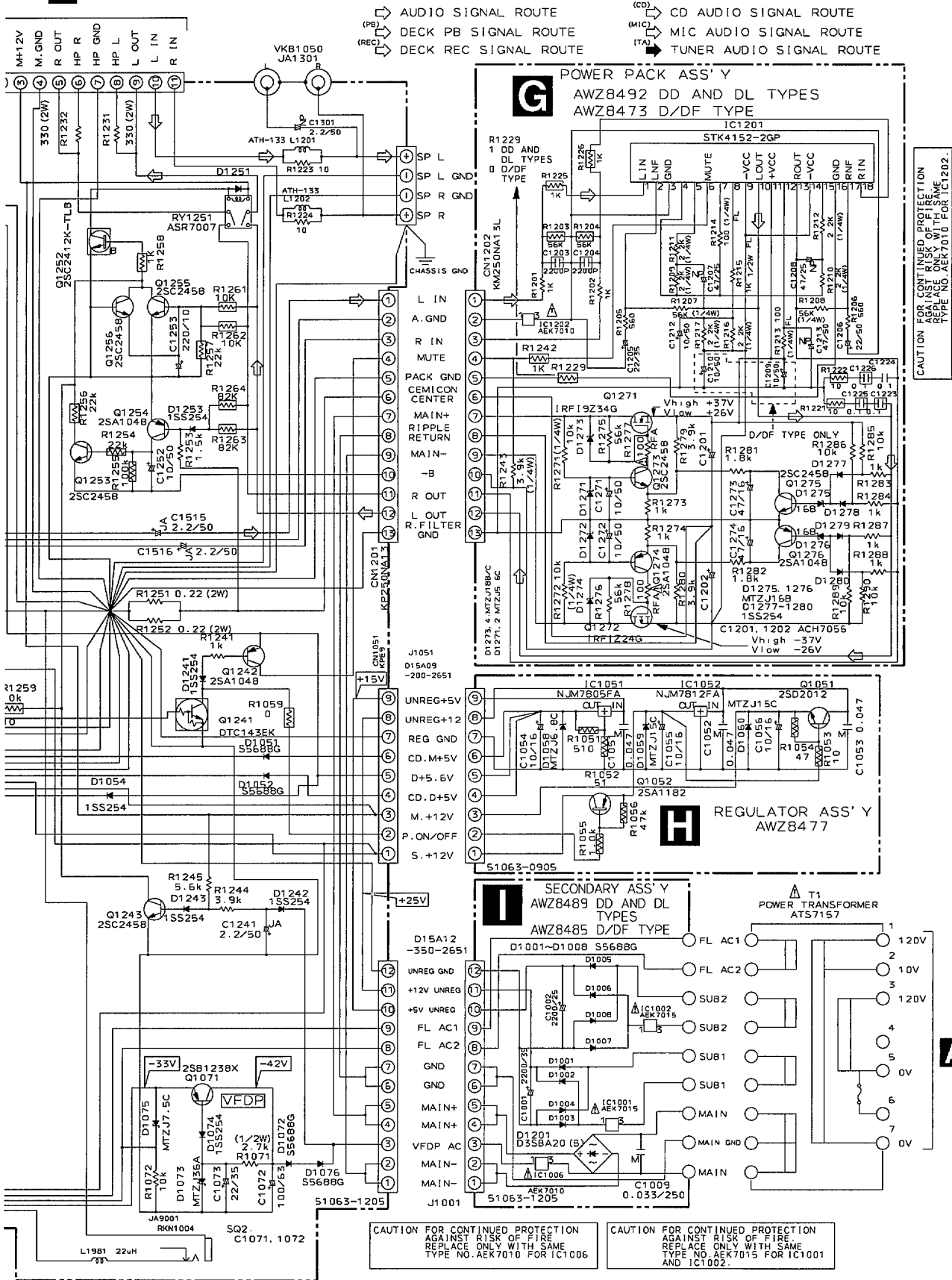
3.6 AF ASSY(2/2), POWER PACK ASSY, REGULATOR ASSY, SECONDARY ASSY AND MD ASSY



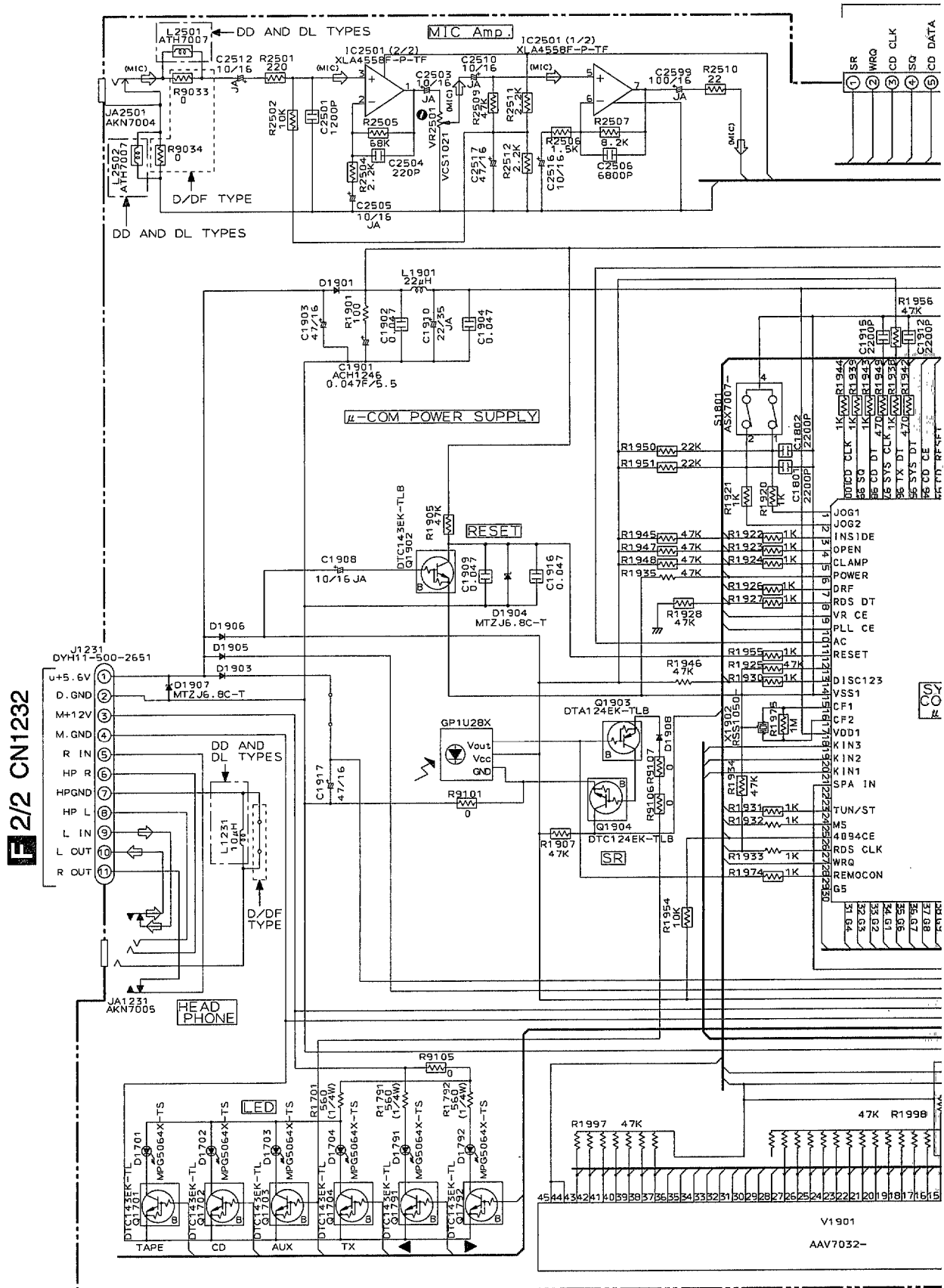
F 2/2 **J**

K CN9102

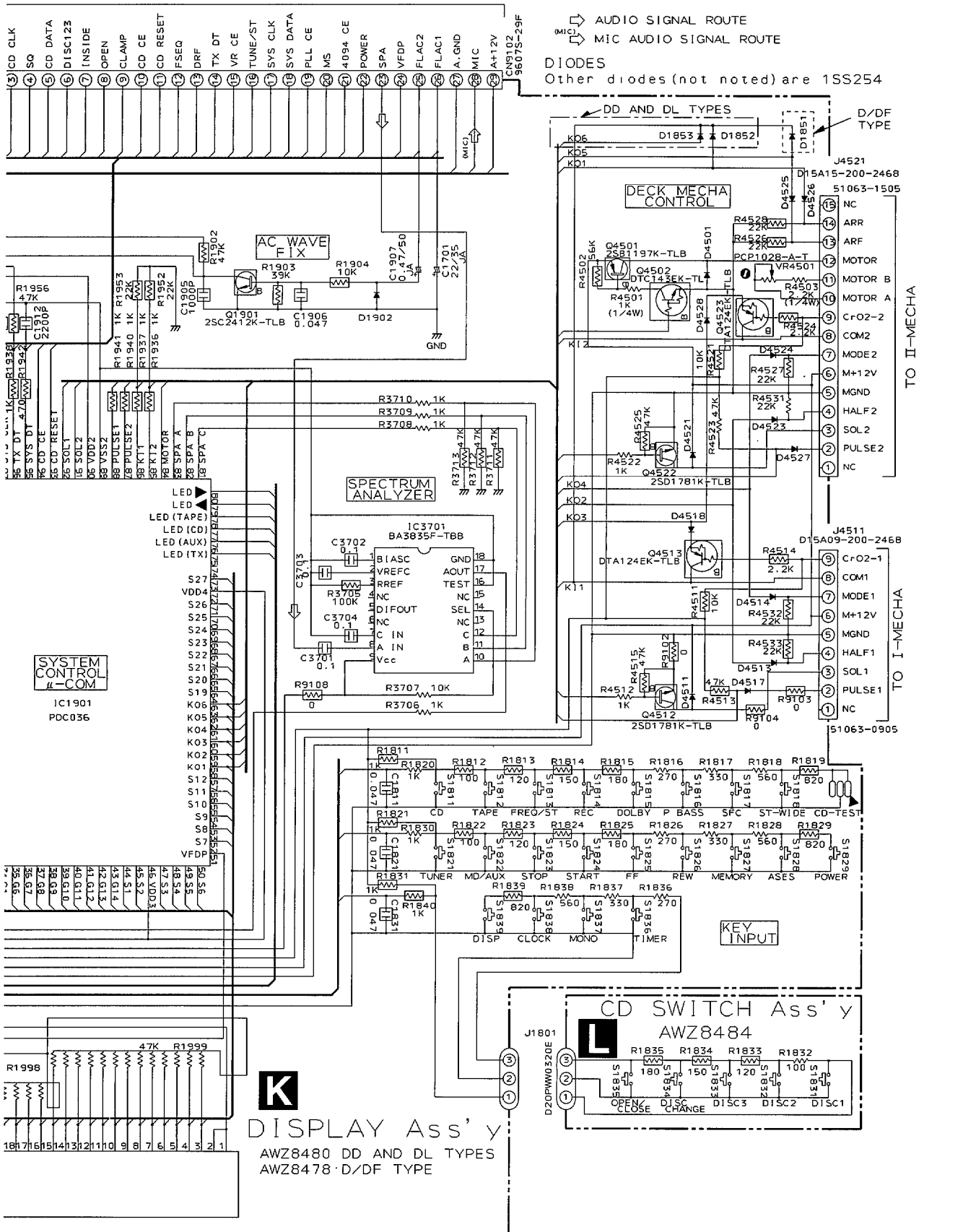
K J1232



3.7 DISPLAY ASSY AND CD SWITCH ASSY



F 2/2 CN1902



K

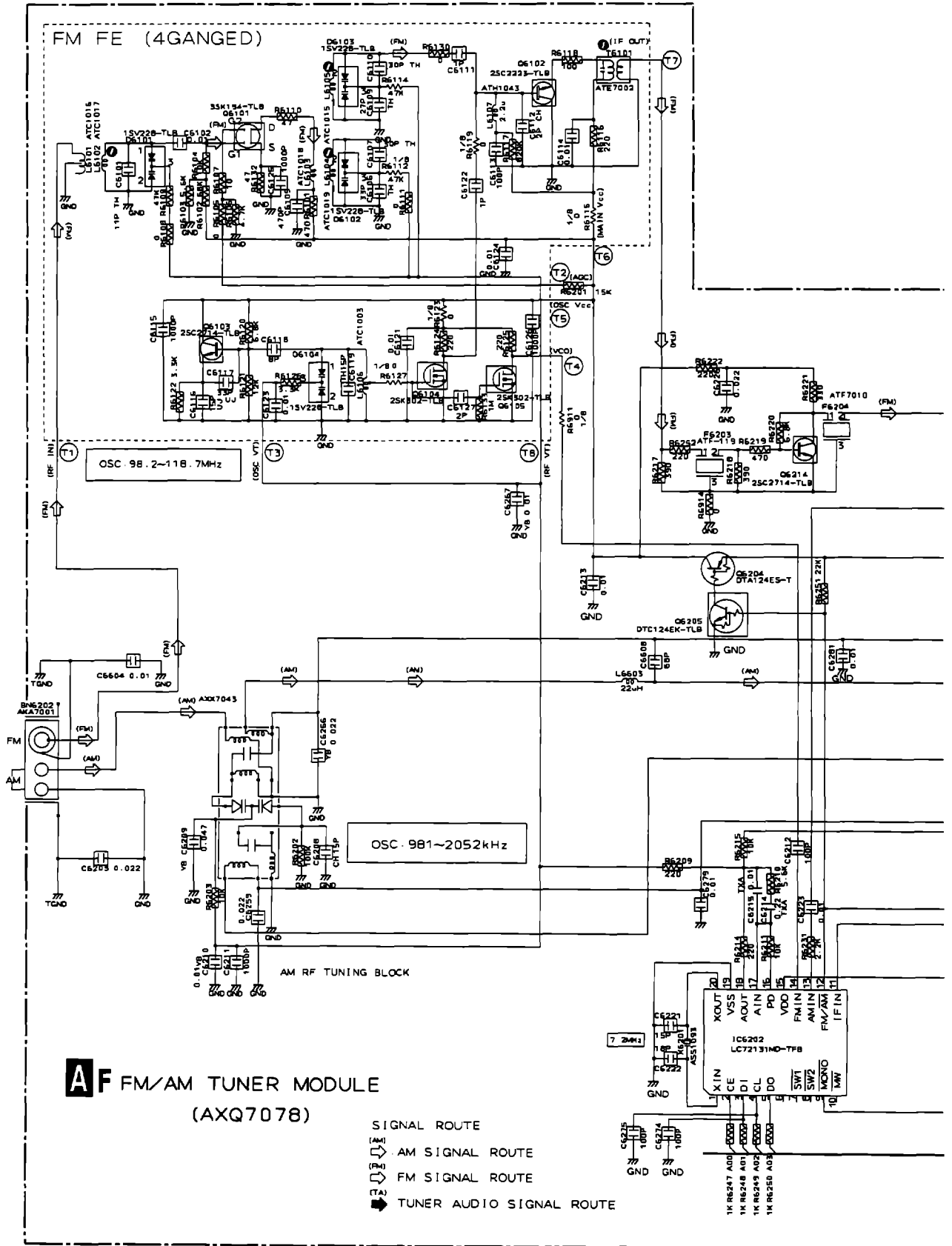
DISPLAY Ass'y
AWZ8480 DD AND DL TYPES
AWZ8478 D/DF TYPE

K L

4. SCHEMATIC DIAGRAM

Note: When ordering service parts, be sure to refer to "EXPLODED VIEWS AND PARTS LIST" or "PCB PARTS LIST".

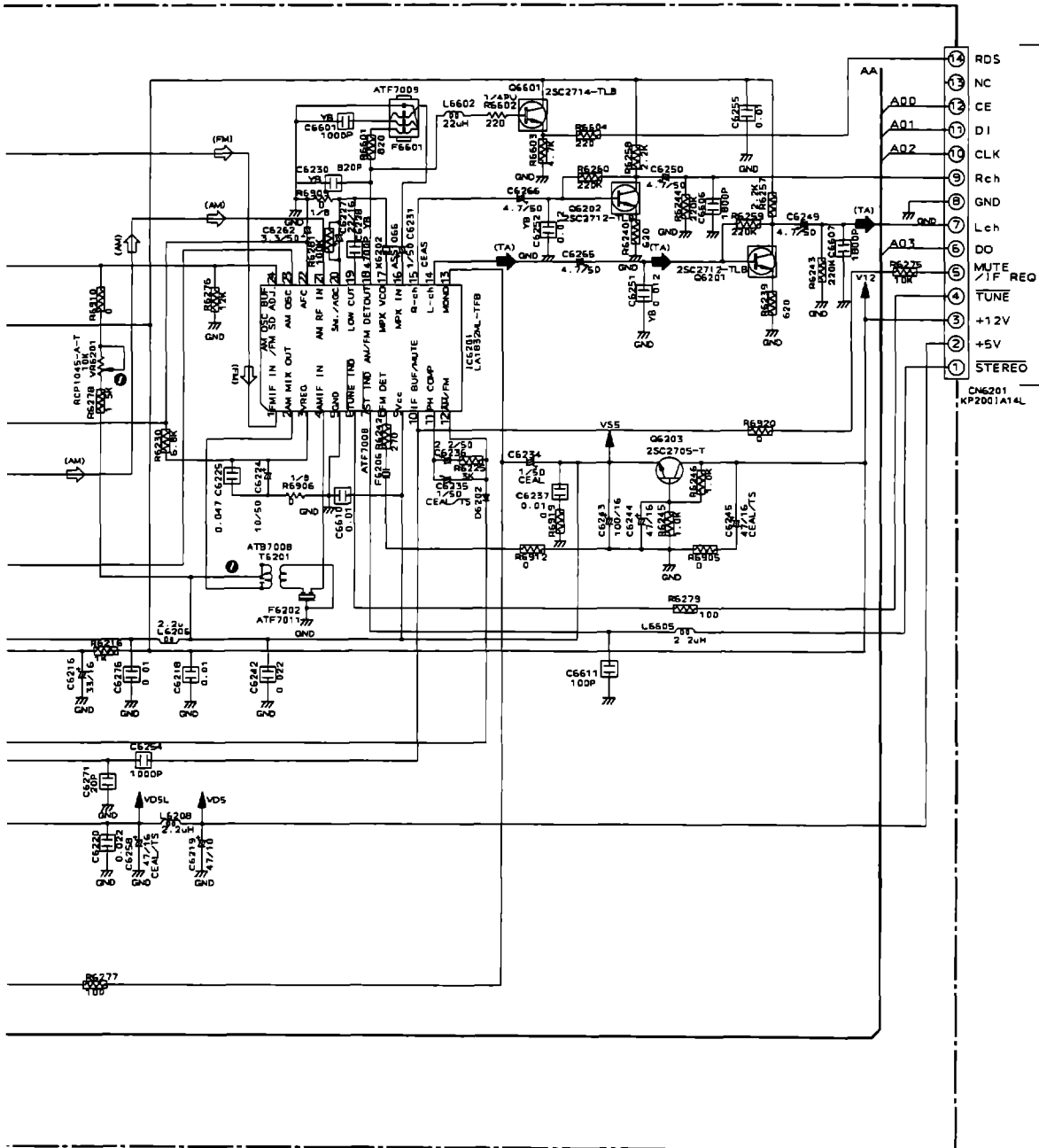
4.1 FM/AM TUNER MODULE



AF FM/AM TUNER MODULE
(AXQ7078)

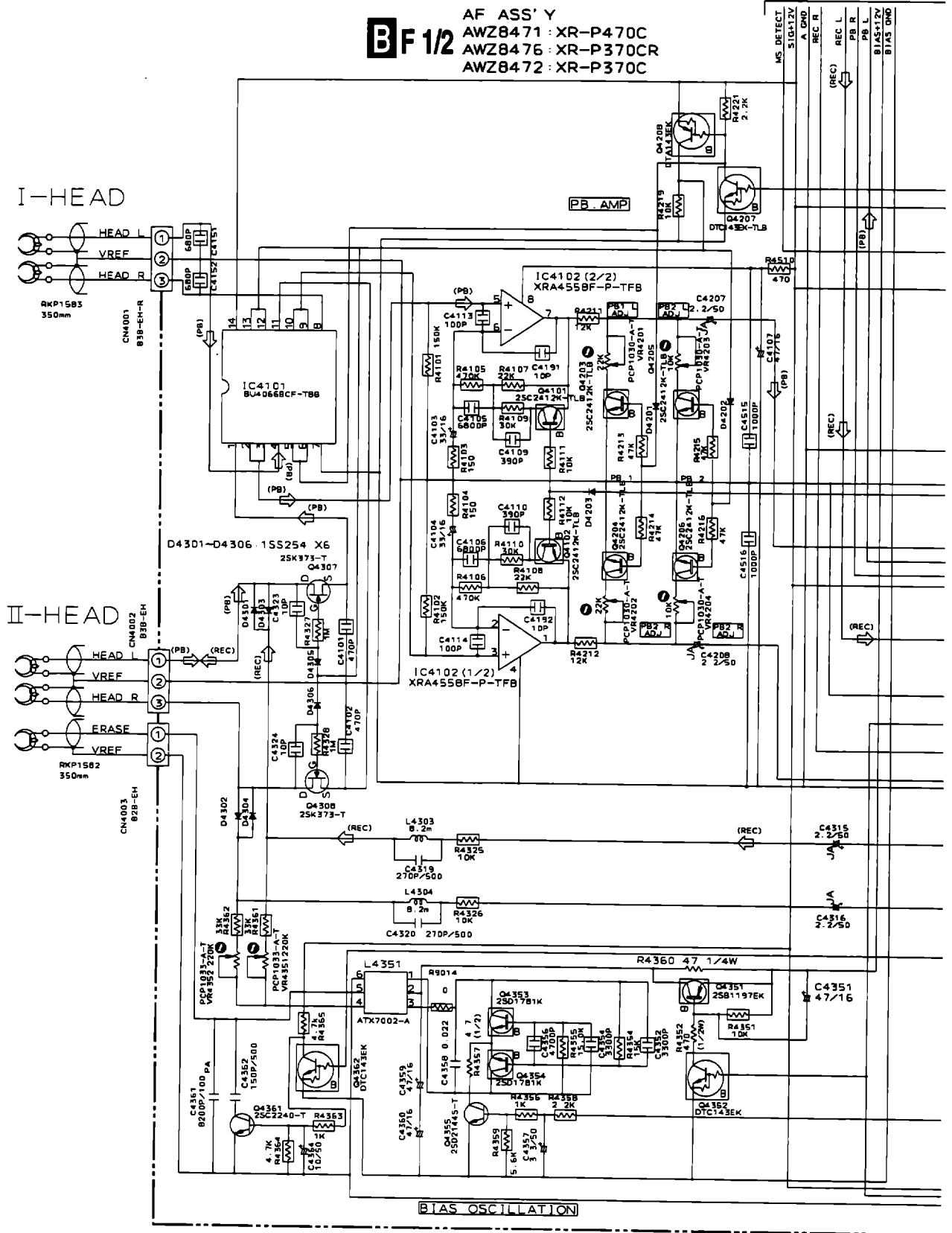
Notes

1. RESISTORS
Indicated in Ω , $1/10W \pm 5\%$ Tolerance unless otherwise noted K:K Ω , M:M Ω .
2. CAPACITORS
Indicated in Capacity (μ F)/VOLTAGE (V) unless otherwise noted P:PF.
3. DIODES
No mark diode is 1SS254.



XR-P470C, XR-P370CR, XR-P370C

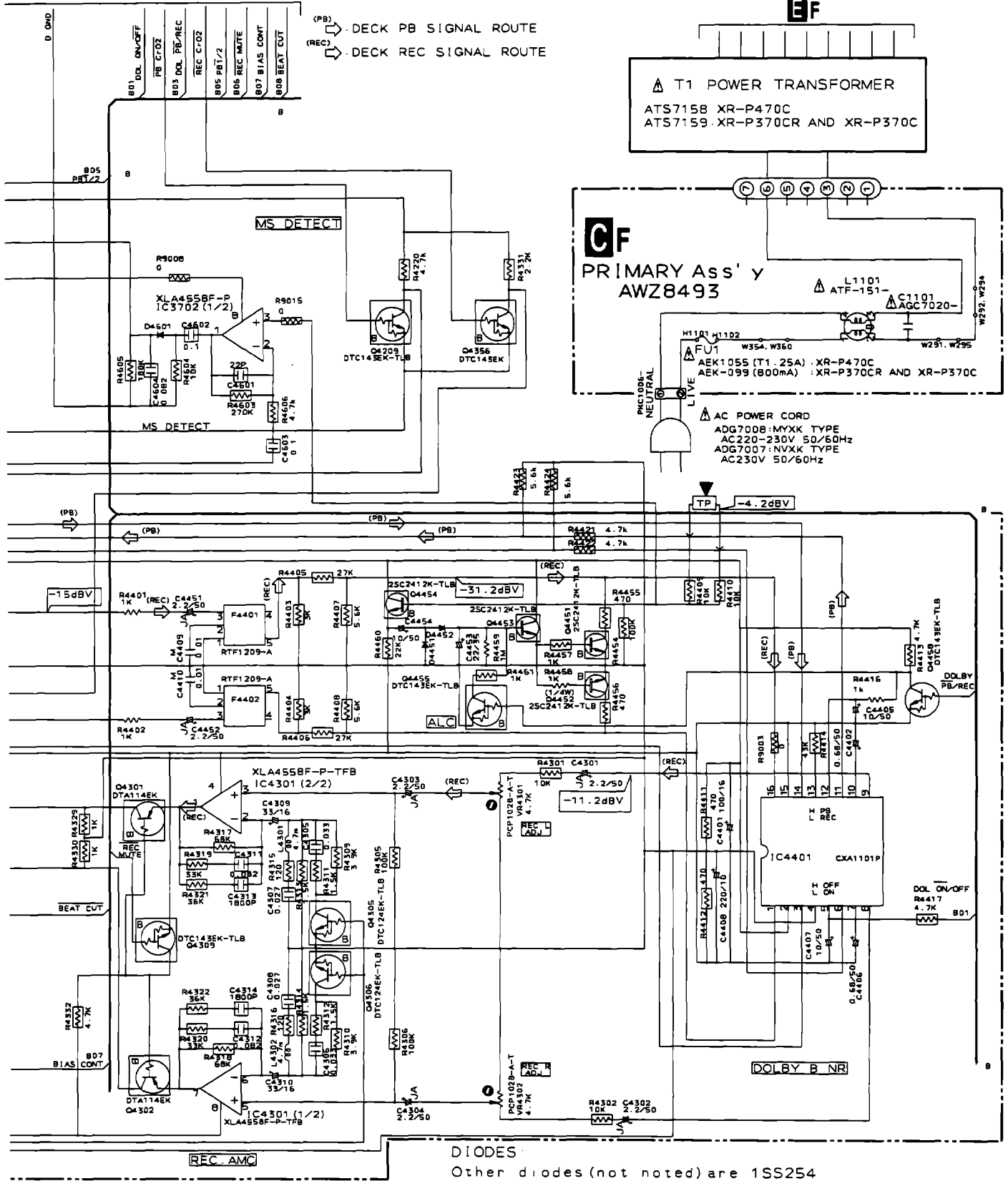
4.2 AF ASSY(1/2) AND PRIMARY ASSY



XR-P470C, XR-P370CR, XR-P370C

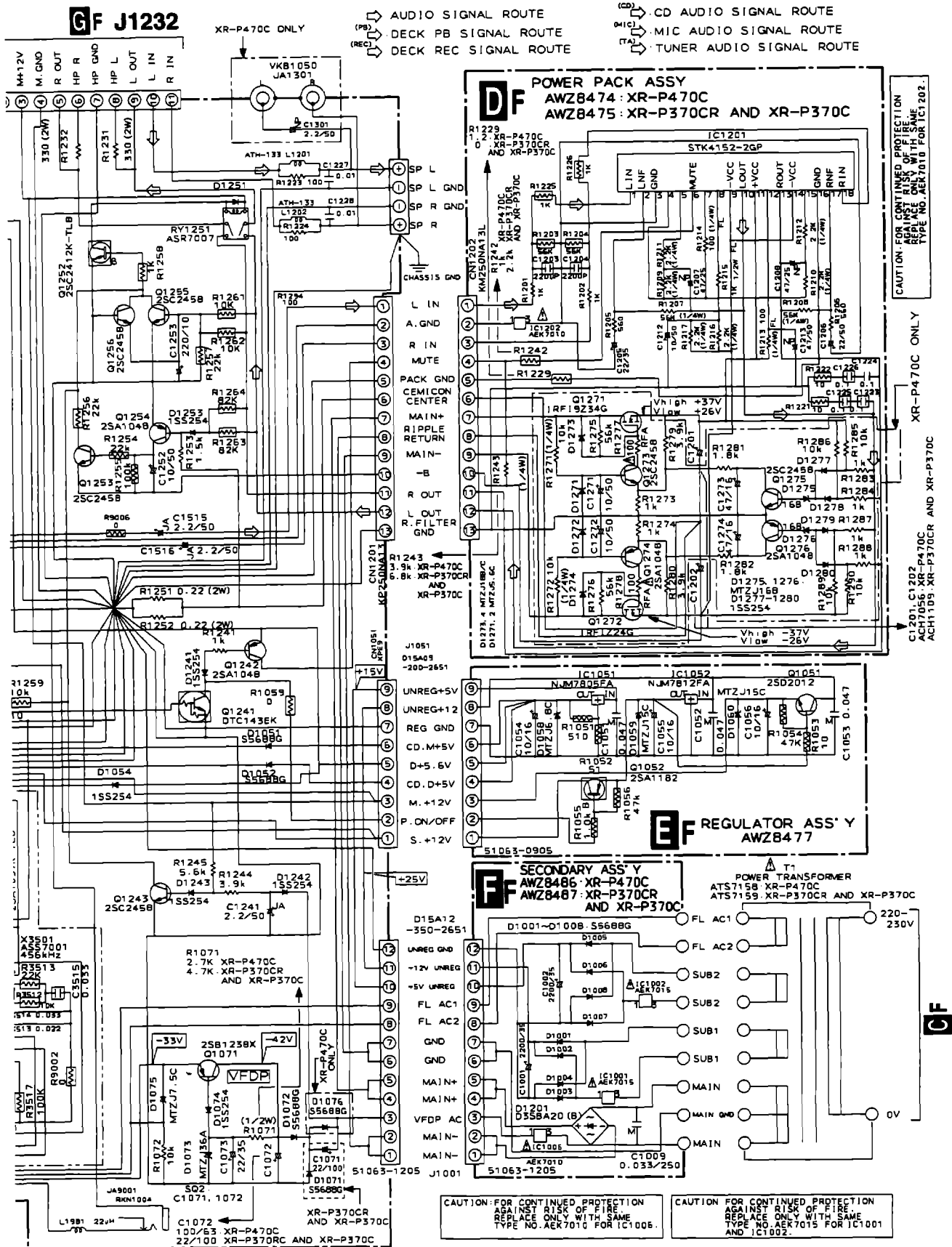
B F 2/2

E F



B F 1/2 **C** F 15

XR-P470C, XR-P370CR, XR-P370C

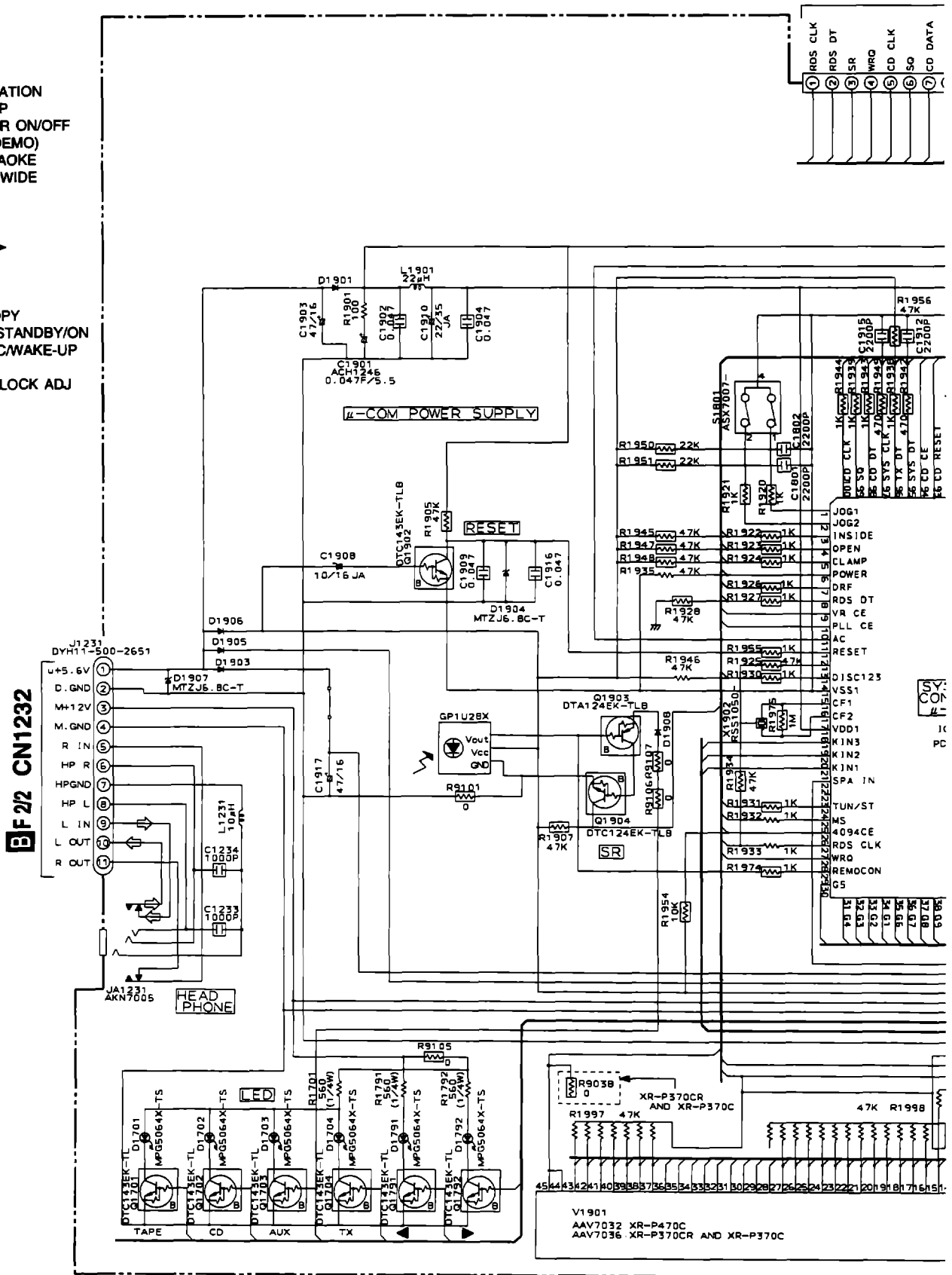


XR-P470C, XR-P370CR, XR-P370C

4.4 DISPLAY ASSY AND CD SWITCH ASSY

DISPLAY ASSY

- S1801 : VOLUME
- S1811 : CD
- S1812 : TAPE I/II
- S1813 : FREQ STATION
- S1814 : REC/STOP
- S1815 : DOLBY NR ON/OFF
- S1816 : P.BASS(DEMO)
- S1817 : SFC/KARAOKE
- S1818 : STEREO WIDE
- S1821 : TUNER
- S1822 : MD/AUX
- S1823 : ■
- S1824 : ◀START▶
- S1825 : ▶▶▶
- S1826 : ◀◀◀
- S1827 : MEMORY
- S1828 : ASES COPY
- S1829 : POWER STANDBY/ON
- S1836 : TIME REC/WAKE-UP
- S1837 : MONO
- S1838 : CLOCK/CLOCK ADJ
- S1839 : DISPLAY



BF22 CN1901

